



ITT

Koni  
Enidine

# Shock Absorbers

For Independent Station  
Glass Molding Machines



*Engineered for life*

**ENIDINE**

With more than 40 years of expertise in design and manufacturing, Enidine leads the industry worldwide in high quality, high performance energy absorption products.

As a result of our continuing development of custom solutions for unique problems, we have improved the performance of Enidine shock absorbers for independent station (IS) glass molding machines over previous designs and competitor models. Enidine shock absorbers maximize production capabilities and minimize costly machine downtime.

Our shock absorbers are specially designed and built to withstand the rigors of high intensity production at elevated temperatures, as well as dusty, dirty environments. Specifically engineered to "cushion" the rack, Enidine shock absorbers smooth the motion of the tong arm. They are fitted at the top of the take out mechanism to permit accurate adjustments at eye level and eliminate the need to remove the entire mechanism when it's time to replace the shock. Fully adjustable damping allows you to utilize the same shock absorber in a variety of machine locations, as well as fine tune each shock to your specific requirement. Since the self-contained Enidine units eliminate the need for external oil connections, they also eliminate potential oil leakage paths.

### Take Out Mechanism

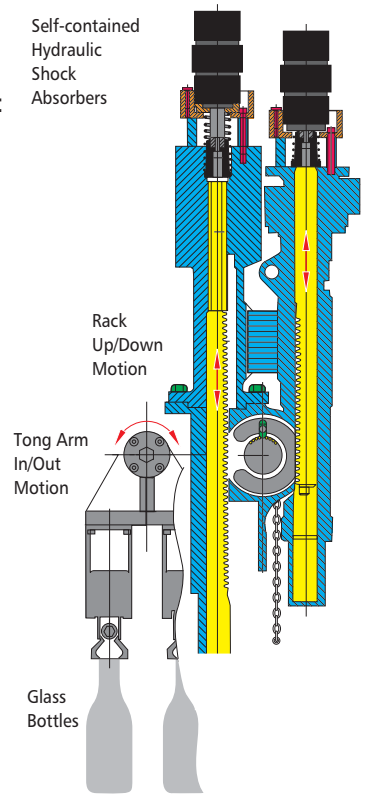
IS Glass Molding Machine Positions Include:

- Take Out - In
- Take Out - Out
- Blowhead

\*Adjustable unit can be used in all three glass machine positions.

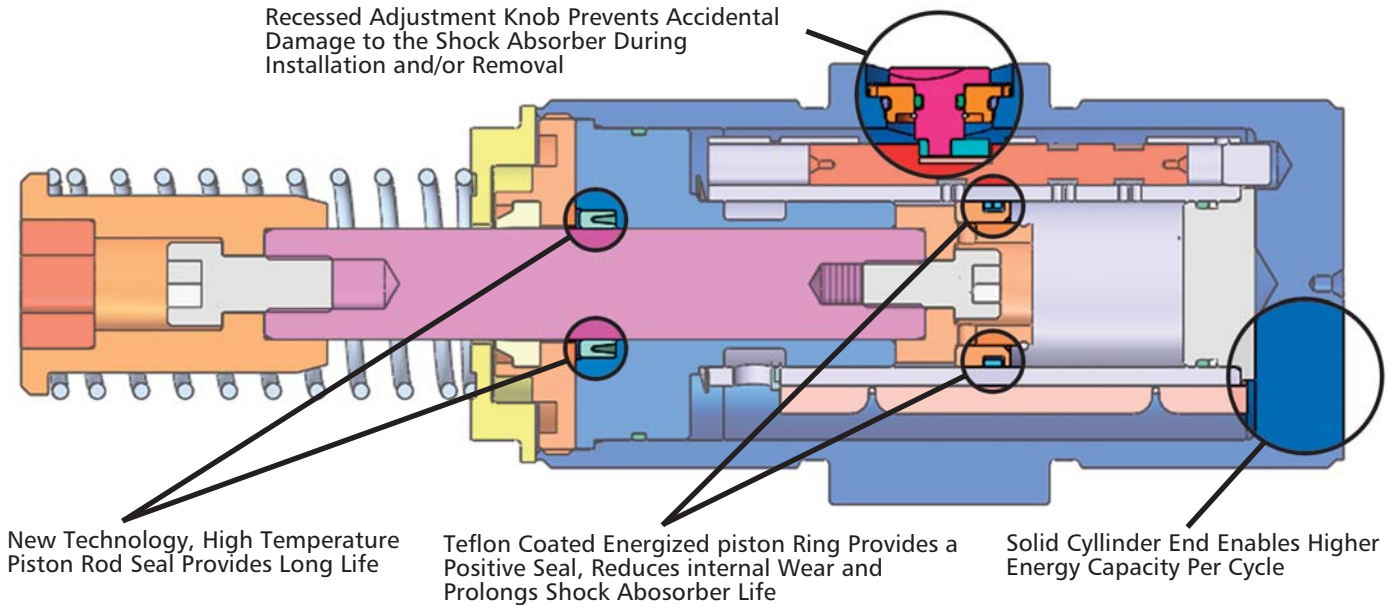
### Take Out Mechanism

The shock absorbers, located at the top of the mechanism, cushion the rack to minimize tong arm bounce.



## New Design Enhancements and Benefits

Recessed Adjustment Knob Prevents Accidental Damage to the Shock Absorber During Installation and/or Removal



## Additional Benefits/Services

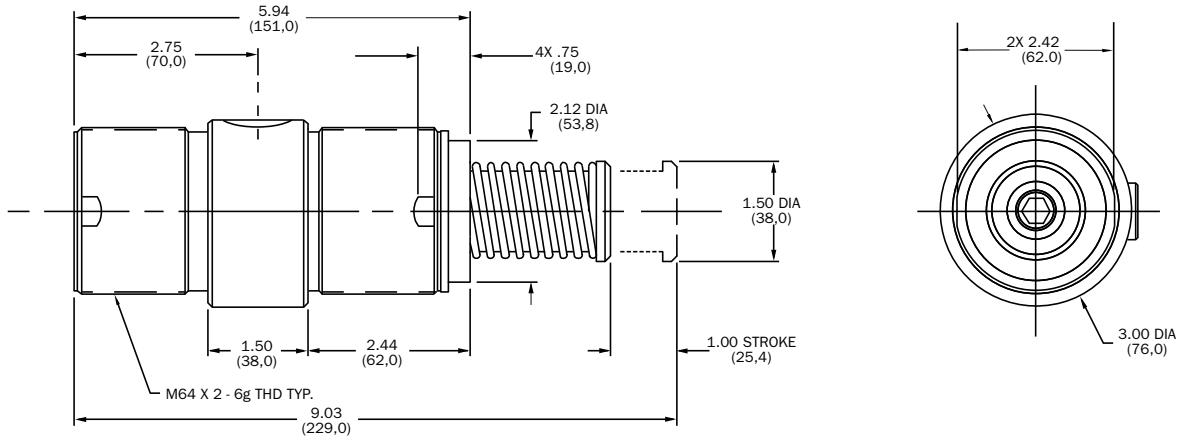
- Technical engineering support for new applications
- Local/Worldwide distribution
- Direct OEM replacement parts
- On-site training
- Factory rebuilt program with full warranty
- Service kits are available for on-site repair service
- New design enables "easier" on-site repair capability

Let Enidine help you with your next glass shock project. Call us or your local distributor to discuss your requirements.

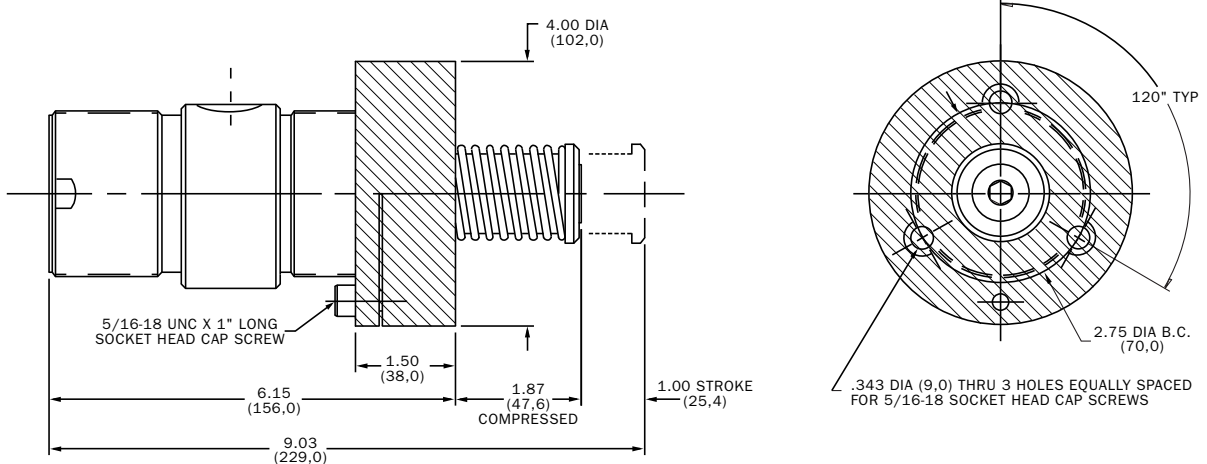
## Engineering Data and Mounting Dimensions

Enidine Replacement Part No.	Enidine Old Part No.	Bore Size In (mm)	Stroke In-Lbs (Nm)	Improved Max. Energy Per Cycle In-Lbs (Nm)	Max. Energy Per Hr. Lbs (N)	Improved Max. Shock Force Lbs (N)	Nominal Coil Spring Force		Max. Propelling Force Lbs (Kg)	Model Weight
							Extended Lbs (N)	Compressed Lbs (N)		
SP22287	SP5695	1.13 (30)	1.00 (25)	10,000 (1130)	2,400,000 (271 000)	11,500 (51 000)	25	35	4,000 (17 760)	7 (3,2)
SP22288	SP5695350						111	155		10 (4,5)
SP22289	SP9281K						111	155		7 (3,2)

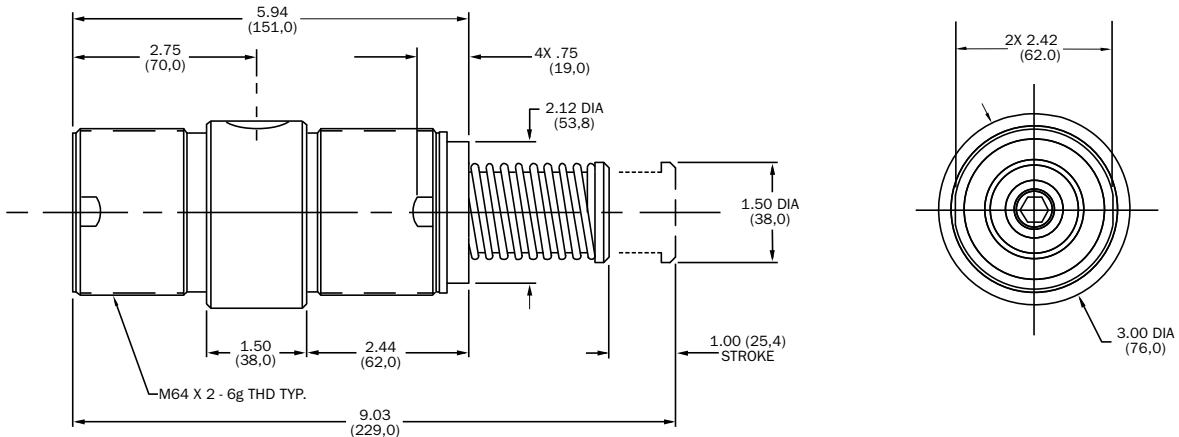
**SP22287** (Replaces SP5695) Adjustable Shock Absorber for Take Out-In, Take Out-Out and Blowhead IS positions



**SP22288** (Replaces SP5695350) Adjustable Shock Absorber with Mounting Adapter



**SP22289** (Replaces SP9281K) Non-Adjustable Shock Absorber for Take Out-In for Quad IS position



**Enidine Incorporated**

7 Centre Drive  
Orchard Park, New York 14127  
USA

Phone: 716-662-1900

Fax: 716-662-1909

Email: [industrialsales@enidine.com](mailto:industrialsales@enidine.com)

Email: [railsales@enidine.com](mailto:railsales@enidine.com)

Email: [aviationsales@enidine.com](mailto:aviationsales@enidine.com)

Email: [defensesales@enidine.com](mailto:defensesales@enidine.com)

[www.itt.com](http://www.itt.com)

[www.enidine.com](http://www.enidine.com)

**Enidine Europe****Enidine Trading Company GmbH**

Hauptstr. 435  
79576 Weil am Rhein  
Germany

Phone: 49 7621 98679 0

Fax: 49 7621 98679 29

Email: [info@enidine.eu](mailto:info@enidine.eu)

[www.enidine.eu](http://www.enidine.eu)

**Enidine Japan****Enidine Co. Ltd.**

4-5-24 Chigasaki-Higashi, Tsuzuki-Ku  
Yokohama-Shi  
Kanagawa 224-0033

Japan

Phone: 81 45 947 1671

Fax: 81 45 945 3967

Email: [support@enidine.co.jp](mailto:support@enidine.co.jp)

[www.enidine.co.jp](http://www.enidine.co.jp)

**Enidine China****Enidine Hangzhou**

3rd. Floor, No. 1 Building South Area  
No. 98, 19 Street

Hangzhou Economic & Technological  
Development Zone

Hangzhou, China 310018

Phone: 86 571 8671 4399

Fax: 86 571 8671 4055

Email: [sales@enidine.cn](mailto:sales@enidine.cn)

[www.enidine.cn](http://www.enidine.cn)

**Enidine / Jarret SAS**

14-38, rue Alexandre, Bat E2  
BP35

Gennevilliers, CEDEX, 92234

France

Phone: 33 1 41 32 26 60

Fax: 33 1 40 86 12 82

Email: [info@enidine.de](mailto:info@enidine.de)

Email: [contact@jarret.fr](mailto:contact@jarret.fr)

[www.enidine.eu](http://www.enidine.eu)