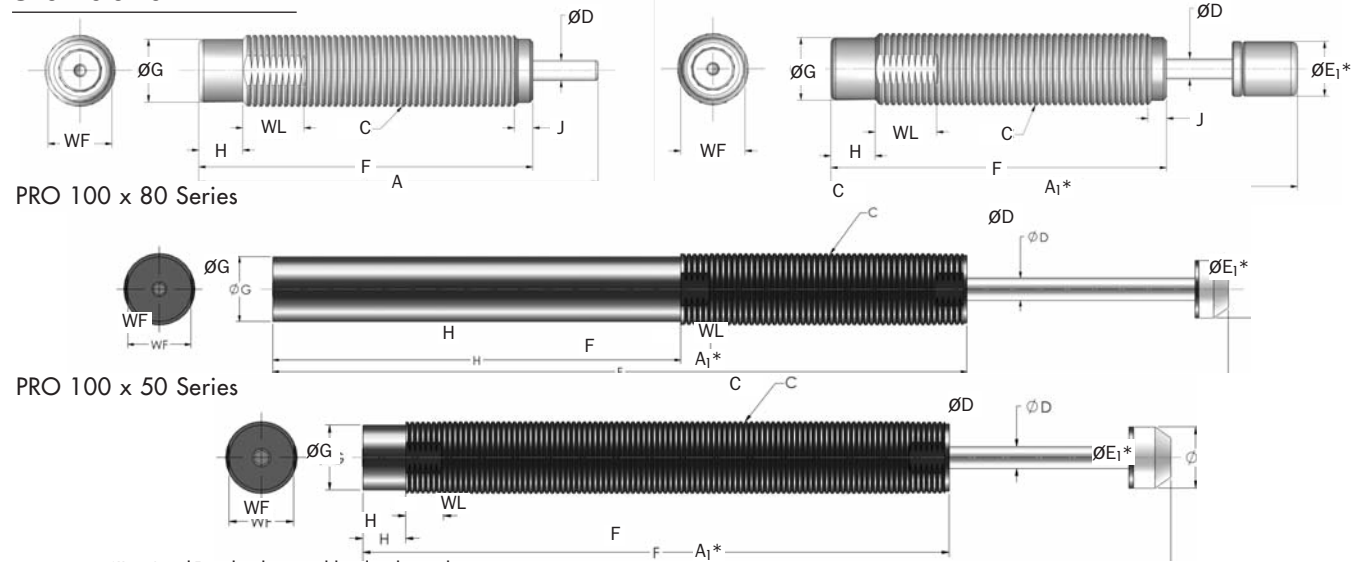


PRO 15 → PRO 100 Series

Standard



*Note: A₁ and E₁ apply to button models and urethane striker cap accessory.

Catalog No./Model	(S) Stroke in. (mm)	(E ₁) Max. in.-lbs./cycle (Nm/cycle)	(E ₁ C) Max. in.-lbs./hour (Nm/h)	(F _p) Max. Shock Force lbs. (N)	(F _D) Max. Extended lbs. (N)	Nominal Coil Spring Force		Weight (mass) oz. (g)
						Compressed lbs. (N)	Propelling Force lbs. (N)	
PRO 15 IF (B)	0.41	90	250,000	450	0.7	1.6	50	2.0
PRO 15 MF (B)	(10,4)	(10,0)	(28 200)	(2 000)	(3,0)	(7,0)	(220)	(56)
PRO 15 IC (B)								
PRO 25 IF (B)	0.63	235	300,000	625	1.0	2.5	120	2.4
PRO 25 MF (B)	(16,0)	(26,0)	(34 000)	(2 800)	(4,5)	(11,0)	(530)	(68)
PRO 25 IC (B)	0.63	235	300,000	625	1.0	2.5	120	2.4
PRO 25 MC (B)	(16,0)	(26,0)	(34 000)	(2 800)	(4,5)	(11,0)	(530)	(68)
PRO 50 IF (B)	0.88	485	475,000	850	2.0	6.8	200	4.8
PRO 50 MC (B)	(22,0)	(54,0)	(53 700)	(3 750)	(8,9)	(30,0)	(890)	(136)
PRO 50 MC x 50	1.97	650	306,000	750	2.0	4.7	200	14
	(50)	(74,0)	(34 600)	(3 336)	(8,9)	(21)	(890)	(390)
PRO 100 IF (B)	1.00	800	622,000	1,250	3.0	6.0	350	10.5
PRO 100 MF (B)	(25,0)	(90,0)	(70 000)	(5 500)	(13,9)	(27,0)	(1 550)	(297)
PRO 100 MC (B)	(25,0)	(90,0)	(70 000)	(5 500)	(13,9)	(27,0)	(1 550)	(297)
PRO 100 MC x 80	3.15	2,300	761,000	1,500	4.5	10.8	350	20
	(80)	(260)	(86 000)	(6 672)	(20)	(48)	(1 550)	(570)

Catalog No./Model	Damping Constant	A (mm)	A ₁ (mm)	C (mm)	D (mm)	E ₁ (mm)	F (mm)	G (mm)	H (mm)	J (mm)	WF (mm)	WL (mm)
PRO 15 IF (B)	-1,-2,-3	2.45	2.85	7/16 - 28 UNEF	.12	.40	2.10	.39	.27	.10	.39	.38
PRO 15 MF (B)	-1,-2,-3	(62,2)	(72,4)	M12 x 1,0	(3,0)	(10,2)	(52,1)	(9,9)	(6,9)	(2,5)	(11,0)	(9,5)
PRO 15 IC (B)	-1,-2,-3	2.45	2.85	1/2 - 20 UNEF	.12	.40	2.10	.39	.27	.10	.39	.38
PRO 25 IF (B)	-1,-2,-3	3.84	4.22	1/2 - 20 UNF	.16	.44	3.20	.43	.30	.04	.44	.50
PRO 25 MF (B)	-1,-2,-3	(97,5)	(107,2)	M14 x 1,0	(4,0)	(11,2)	(81,3)	(10,9)	(7,6)	(1,0)	(12,0)	(12,7)
PRO 25 IC (B)	-1,-2,-3	3.84	4.22	3/8 - 18 UNF	.16	.44	3.20	.43	.30	.04	.50	.50
PRO 25 MC (B)	-1,-2,-3	(97,5)	(107,2)	M14 x 1,5	(4,0)	(11,2)	(81,3)	(10,9)	(7,6)	(1,0)	(12,0)	(12,7)
PRO 50 IF (B)	-1,-2,-3	4.66	5.13	3/4 - 16 UNF	.19	.50	3.76	.64	.30	.04	.68	.50
PRO 50 MC (B)	-1,-2,-3	(118,4)	(130,3)	M20 x 1,5	(4,8)	(12,7)	(95,5)	(16,3)	(7,6)	(1,0)	(18,0)	(12,7)
PRO 50 MC x 50	-1,-2,-3	-	8.86	M20 x 1,5	0.24	0.67	6.38	0.71	0.47	-	0.71	0.39
	-1,-2,-3	-	(225)	M20 x 1,5	(6)	(17)	(162)	(18,0)	(12,0)	-	(18,0)	(10,0)
PRO 100 IF (B)	-1,-2,-3	5.07	5.57	1-12 UNF	0.25	0.62	4.04	0.87	0.50	0.18	0.88	0.50
PRO 100 MF (B)	-1,-2,-3	(128,8)	(141,5)	M25 x 1,5	(6,4)	(15,7)	(102,6)	(22,2)	(12,7)	(4,6)	(23,0)	(12,7)
PRO 100 MC (B)	-1,-2,-3	(128,8)	(141,5)	M27 x 3,0	(6,4)	(15,7)	(102,6)	(22,0)	(12,7)	(4,6)	(23,0)	(12,7)
PRO 100 MC x 80	-1,-2,-3	-	13.19	M25 x 2,0	0.31	0.79	9.53	0.89	5.63	-	0.87	0.39
	-1,-2,-3	-	(335)	M25 x 2,0	(8)	(20)	(242)	(22,5)	(143)	-	(22)	(10)

Notes: 1. See page 67 for constant damping curves. 2. (B) indicates button model of shock absorber. 3. Buttons cannot be added to non-button models or removed from button models.

Non-Adjustable Series

Non-Adjustable Series Hydraulic Shock Absorbers

PRO Small-Bore Series

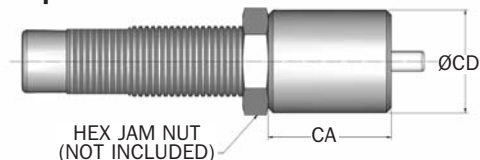
PRO 15 → PRO 100 Series

Accessories

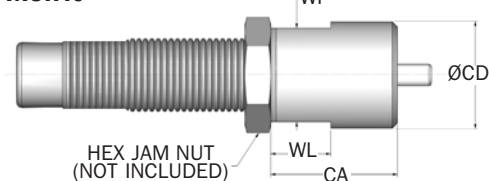
Non-Adjustable Series

Stop Collar (SC)

Imperial

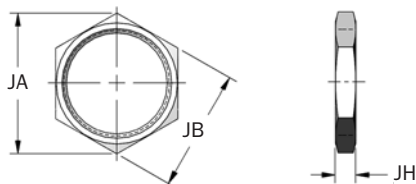


Metric



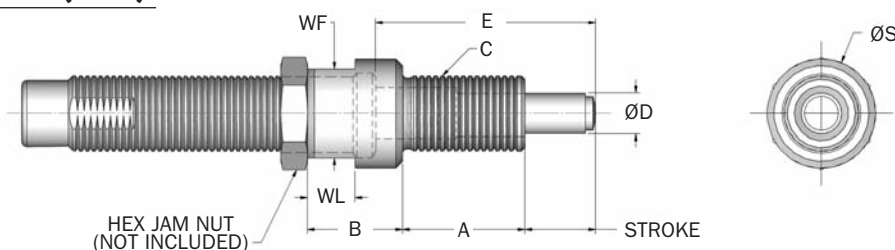
Catalog No./Model	Part Number	Model (Ref)	CA in. (mm)	CD in. (mm)	WF in. (mm)	WL in. (mm)	Weight (mass) oz. (g)
SC 7/16 - 28	M95588057	PRO 15 (B)	0.75	.63	—	—	.5
SC M12 x 1	M930289171	PRO 15 M (B)	(19,0)	(16,0)	(14,0)	(9,0)	(14)
SC 1/2 - 20	M93935057	PRO 25 IF (B)	1.00	0.75	—	—	1.0
SC M14 x 1	M930286171	PRO 25 MF (B)	(25,4)	(18,0)	(17,0)	(12,0)	(20)
SC 9/16 - 18	M94950199	PRO 25 IC (B)	1.00	0.69	—	—	1.0
SC M14 x 1,5	M930281171	PRO 25 MC (B)	(25,4)	(21,0)	(19,0)	(12,0)	(38)
SC 3/4 - 16	M92646057	PRO 50 (B)	1.50	1.00	—	—	2.0
SC M20 x 1,5	M930282171	PRO 50 M (B)	(38,0)	(25,0)	(22,0)	(12,0)	(63)
SC 1-12 x 1	M92587057	PRO 100 (B)	1.75	1.50	—	—	8.0
SC M25 x 1,5	M930284171	PRO 100 MF (B)	(44,5)	(38,0)	(32,0)	(15,0)	(215)

Jam Nut (JN)



Catalog No./Model	Part Number	Model (Ref)	JA in. (mm)	JB in. (mm)	JH in. (mm)	Weight (mass) oz. (g)
JN 7/16 - 28	J15588034	PRO 15 (B)	0.65	0.56	.16	0.1
JN M12 x 1	J25588035	PRO 15 MF (B)	(17,3)	(15,0)	(4,0)	(2)
JN 9/16 - 18	J14950034	PRO 25 IC (B)	1.01	0.88	.31	0.6
JN M14 x 1,5	J23935035	PRO 25 MC (B)	(19,7)	(17,0)	(4,0)	(3)
JN 1/2 - 20	J13935034	PRO 25 IF (B)	0.72	0.63	.12	0.1
JN M14 x 1	J124950035	PRO 25 MF (B)	(19,7)	(17,0)	(4,0)	(3)
JN 3/4 - 16	J12646034	PRO 50 (B)	1.08	0.94	.18	0.3
JN M20 x 1,5	J22646035	PRO 50 MC (B)	(27,7)	(24,0)	(4,6)	(9)
JN 1-12	J11976034	PRO 100 (B)	1.30	1.13	.18	0.5
JN M25 x 1,5	J23004035	PRO 100 MF (B)	(37,0)	(32,0)	(4,6)	(15)

Side Load Adaptor (SLA)



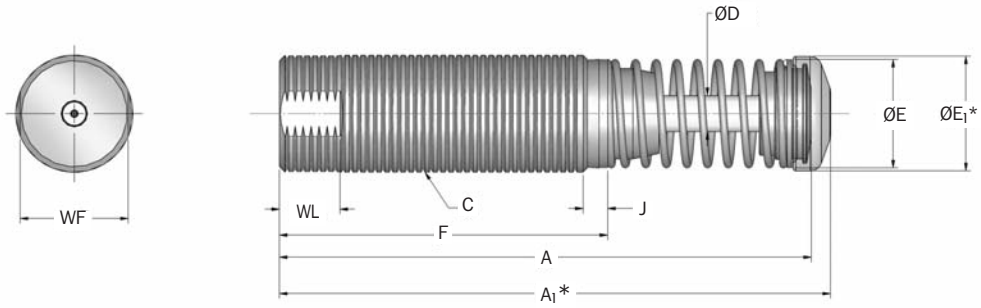
Catalog No./Model	Part Number	Model (Ref)	Stroke in. (mm)	A in. (mm)	B in. (mm)	C in. (mm)	D in. (mm)	E in. (mm)	S in. (mm)	WF in. (mm)	WL in. (mm)
SLA 7/16 - 28 x .41	SLA 33844	PRO 15 IF (B)	.41	.71	.55	7/16 - 28 UNEF	.24	1.28	.63	.56	.28
SLA 12 MF	SLA 33299	PRO 15 MF (B)	(10,0)	(18)	(14)	M12 x 1	(6,0)	(32,4)	(14,0)	(13,0)	(7,0)
SLA 1/2 - 20 x .41	SLA 71146	PRO 15 IC (B)	.41	.71	.55	1/2 - 20 UNF	.24	1.28	.63	.56	.28
SLA 1/2 - 20 x .63	SLA 33849	PRO 25 IF (B)	.63	1.02	.51	1/2 - 20 UNF	.31	1.62	.71	.63	.28
SLA 14 MF	SLA 33297	PRO 25 MF (B)	(16)	(26)	(13)	M14 x 1	(8,0)	(45,2)	(18,0)	(15,0)	(7,0)
SLA 9/16 - 18 x .63	SLA 33850	PRO 25 IC (B)	.63	1.02	.51	9/16 - 18 UNF	.31	1.62	.71	.63	.28
SLA 14 MC	SLA 33298	PRO 25 MC (B)	(12,7)	(20)	(16)	M14 x 1,5	(8,0)	(45,2)	(18,0)	(15,0)	(7,0)
SLA 3/4 - 16 x .88	SLA 33851	PRO 50 (B)	.88	1.26	.67	3/4 - 16 UNF	.43	2.44	.98	.88	.28
SLA 20 MC	SLA 33302	PRO 50 M (B)	(22,0)	(32)	(17)	M20 x 1,5	(11,0)	(62)	(25,0)	(22,0)	(7,0)
SLA 1-12 x 1	SLA 33848	PRO 100 (B)	1.00	1.50	1.18	1-12 UNF	.59	2.88	1.42	1.25	.39
SLA 25 MF	SLA 33263	PRO 100 MF (B)	(25,4)	(38)	(30)	M25 x 1,5	(15,0)	(73,2)	(36,0)	(32,0)	(7,0)
SLA 27 MC	SLA 33296	PRO 100 MC (B)	(25,4)	(38)	(30)	M27 x 3	(15,0)	(73,2)	(36,0)	(32,0)	(10,0)

Notes: 1. Maximum sideload angle is 30°
 2. Do Not use with button models.
 3. Part numbers in page color are non-standard lead time items, contact Enidine.

PRO 110 → PRO 225 Series

Standard

Non-Adjustable Series



*Note: A₁ and E₁ apply to button models and urethane striker cap accessory.

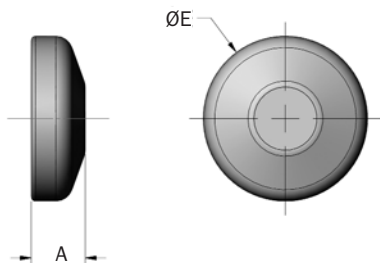
Catalog No./ Model	(S) Stroke in. (mm)	(E _T) Max. in.-lbs./cycle (Nm/cycle)	(E _T C) Max. in.-lbs./hour (Nm/h)	(F _P) Max. Shock Force lbs. (N)	Nominal Coil Spring Force		(F _D) Max. Propelling Force lbs. (N)	Weight (mass) oz. (g)
					Extended lbs. (N)	Compressed lbs. (N)		
PRO 110 IF	1.56	1,700	670,000	1,700	4.0	11.0	500	16.0
PRO 110 MF	(40,0)	(190,0)	(75 700)	(7 500)	(18,0)	(49,0)	(2 220)	(454)
PRO 110 MC	(40,0)	(190,0)	(75 700)	(7 500)	(18,0)	(49,0)	(2 220)	(454)
PRO 120 IF	1.00	1,400	670,000	2,500	12.5	20.0	500	17.0
PRO 120 MF	(25,0)	(160,0)	(75 700)	(11 120)	(56,0)	(89,0)	(2 220)	(482)
PRO 125 IF	1.00	1,400	774,000	2,500	12.5	20.0	500	17.0
PRO 125 MF	(25,0)	(160,0)	(87 500)	(11 120)	(56,0)	(89,0)	(2 220)	(482)
PRO 220 IF	2.00	2,750	800,000	2,500	7.0	20.0	500	26.0
PRO 220 MF	(50,0)	(310,0)	(90 300)	(11 120)	(31,0)	(89,0)	(2 220)	(737)
PRO 225 IF	2.00	2,750	900,000	2,500	7.0	20.0	500	26.0
PRO 225 MF	(50,0)	(310,0)	(111 000)	(11 120)	(31,0)	(89,0)	(2 220)	(737)

Note: See page 68 for constant damping curves.

Catalog No./ Model	Damping Constant	A (mm)	A ₁ (mm)	C (mm)	D (mm)	E (mm)	E ₁ (mm)	F (mm)	J (mm)	WF (mm)	WL (mm)
PRO 110 IF	-1, -2, -3	7.93	8.06	1-12 UNF	.31	0.88	0.88	5.00	.06	-	-
PRO 110 MF	-1, -2, -3	(201,4)	(204,7)	M25 x 1,5	(8,0)	(22,2)	(22,2)	(127,0)	(1,5)	-	-
PRO 110 MC	-1, -2, -3	(201,4)	(204,7)	M25 x 2,0	(8,0)	(22,2)	(22,2)	(127,0)	(1,5)	-	-
PRO 120 IF	-1, -2, -3	5.52	5.72	1 ¼ - 12 UNF	.38	1.13	1.20	3.41	.21	1.12	.63
PRO 120 MF	-1, -2, -3	(140,2)	(145,3)	M33 x 1,5	(9,5)	(29,0)	(30,5)	(87,0)	(5,3)	(30,0)	(16,0)
PRO 125 IF	-1, -2, -3	5.52	5.72	1 ⅜ - 12 UNF	.38	1.13	1.20	3.41	.21	1.25	.63
PRO 125 MF	-1, -2, -3	(140,2)	(145,3)	M36 x 1,5	(9,5)	(29,0)	(30,5)	(87,0)	(5,3)	(33,0)	(16,0)
PRO 220 IF	-1, -2, -3	8.14	8.34	1 ¼ - 12 UNF	.38	1.13	1.20	5.03	.21	1.12	.63
PRO 220 MF	-1, -2, -3	(207,0)	(212,0)	M33 x 1,5	(9,5)	(29,0)	(30,5)	(128,0)	(5,3)	(30,0)	(16,0)
PRO 225 IF	-1, -2, -3	8.14	8.34	1 ⅜ - 12 UNF	.38	1.13	1.20	5.03	.21	1.25	.63
PRO 225 MF	-1, -2, -3	(207,0)	(212,0)	M36 x 1,5	(9,5)	(29,0)	(30,5)	(128,0)	(5,3)	(33,0)	(16,0)

Notes: 1. Dash numbers in page color are non-standard lead time items, contact Enidine. 2. Urethane striker caps are available as accessories.

Urethane Striker Cap (USC)



Catalog No./ Model	Part Number	Model (Ref)	A in. (mm)	E ₁ in. (mm)	Weight (mass) oz. (g)
UC 5568	C95568079	PRO 110	.39 (10,0)	0.88 (22,0)	0.1 (3)
UC 8609	C98609079	PRO 120,125, 220 & 225	.39 (10,0)	1.20 (30,5)	0.1 (3)

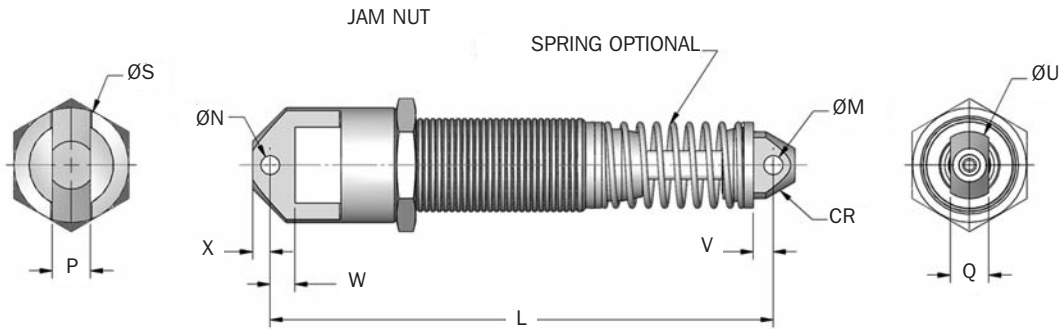
Non-Adjustable Series Hydraulic Shock Absorbers

PRO Small-Bore Series

Accessories

PRO 110 → PRO 225 Series

Clevis Mount

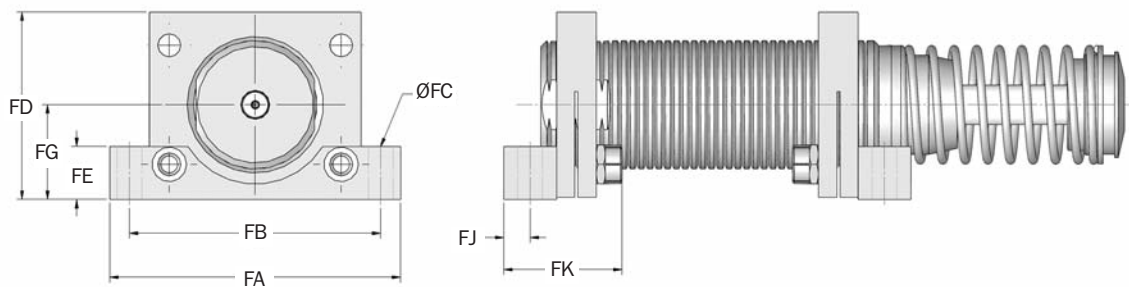


Non-Adjustable Series

Catalog No./ Model	L in. (mm)	M +.005/- .000 in. (mm)	N +.005/- .000 in. (mm)	P +.000/- .010 in. (mm)	Q +.000/- .010 in. (mm)	S in. (mm)	U in. (mm)	V in. (mm)	W in. (mm)	X in. (mm)	CR in. (mm)	Weight (mass) lbs. (Kg)
△PRO 110 CM (S)	8.32 (211)	.197 (5,00)	.251 (5,00)	.375 (8,00)	.315 (8,00)	1.25 (28)	.88 (22)	.42 (11)	.51 (13)	.25 (5,0)	.25 (7,0)	1.2 (0,54)
△PRO 120 CM (S)	6.59 (167)	.251 (6,38)	.251 (6,38)	.500 (12,70)	.500 (12,70)	1.50 (38)	.88 (23)	.23 (6)	.48 (12)	.31 (6,1)	.44 (11,2)	1.3 (0,59)
△PRO 125 CM (S)	6.59 (180)	.251 (6,38)	.251 (6,38)	.500 (12,70)	.500 (12,70)	1.50 (38)	.88 (22)	.23 (6)	.93 (24)	.23 (6,0)	.44 (11,2)	1.6 (0,73)
△PRO 220 CM (S)	9.22 (234)	.251 (6,38)	.251 (6,38)	.500 (12,70)	.500 (12,70)	1.50 (38)	.88 (23)	.23 (6)	.48 (12)	.31 (6,1)	.44 (11,2)	1.7 (0,77)
△PRO 225 CM (S)	9.22 (230)	.251 (6,38)	.251 (6,38)	.500 (12,70)	.500 (12,70)	1.50 (38)	.88 (22)	.23 (6)	.93 (24)	.23 (6,0)	.44 (11,2)	1.9 (0,86)

Notes: 1. (S) indicates model comes with spring. 2. △= Non-standard lead time items, contact Enidine.

Flange Foot Mount



Catalog No./ Model	Part Number	Model (Ref)	Y in. (mm)	Z in. (mm)	FA in. (mm)	FB in. (mm)	FC in. (mm)	FD in. (mm)	FE in. (mm)	FG in. (mm)	FJ in. (mm)	FK in. (mm)	Bolt Size in. (mm)	Kit Weight oz. (g)	Notes
FM 1 1/4 - 12	2F21049305	PRO 120 /220	2.25	1.25	2.75	2.38	.23	1.77	.50	.90	.25	.88	#10	4.0 oz	2
FM 33 x 1,5	2F21049306	PRO 120 M/220 M	(57,2)	(31,8)	(70,0)	(60,3)	(5,90)	(45,0)	(12,7)	(22,7)	(6,4)	(22,2)	(M5)	(100)	
FM 1 3/8 - 12	2F21293305	PRO 120 /220	2.25	1.25	2.75	2.38	.23	1.77	.50	.90	.25	.88	#10	4.0 oz	1,2
FM 36 x 1,5	2F21293306	PRO 120 /220 M	(57,2)	(31,8)	(70,0)	(60,3)	(5,90)	(45,0)	(12,7)	(22,7)	(6,4)	(22,2)	(M5)	(100)	

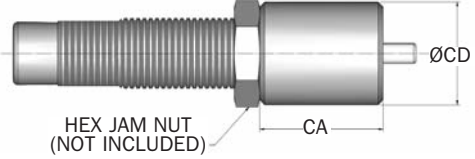
Notes: 1. Shock absorber must be ordered separately from foot mount kit.
2. All foot mount kits include two foot mounts

PRO 110 → PRO 225 Series

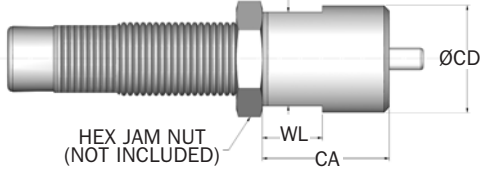
Non-Adjustable Series

Stop Collar (SC)

Imperial

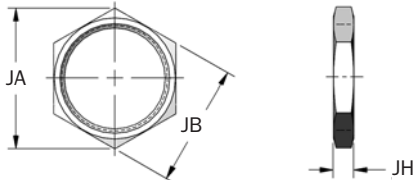


Metric



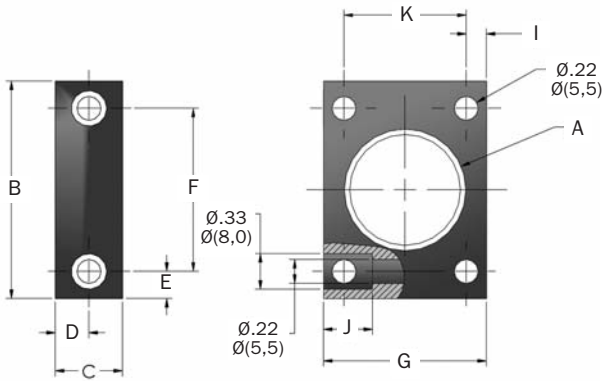
Catalog No./ Model	Part Number	Model (Ref)	CA in. (mm)	CD in. (mm)	WF in. (mm)	WL in. (mm)	Weight (mass) oz. (g)
SC 1-12 x 1.56	M95568181	PRO 110	2.00	1.50	-	-	8.0
SC M25 x 1,5 x 40	M931291171	PRO 110 MF	(44,5)	(38,0)	(32,0)	(15,0)	(215)
SC M25 x 1,5	M930284171	PRO 110 MC	(44,5)	(38,0)	(32,0)	(15,0)	(215)
SC 1 ¼ - 12	M921049057	PRO 120/220	2.50	1.50	-	-	7.0
SC M33 x 1,5	M930290171	PRO 120/220 M	(41,0)	(38,0)	(36,0)	(17,0)	(210)
SC 1 ⅜ - 12	M921293057	PRO 120/220	2.50	1.50	-	-	7.0
SC M36 x 1,5	M930285058	PRO 120/220 M	(41,0)	(38,0)	(41,0)	(18,0)	(210)

Jam Nut (JN)



Catalog No./ Model	Part Number	Model (Ref)	JA in. (mm)	JB in. (mm)	JH in. (mm)	Weight (mass) oz. (g)
JN 1-12	J11976034	PRO 110	1.30	1.13	.18	0.5
JN 25 x 1,5	J23004035	PRO 110 MF	(37,0)	(32,0)	(4,6)	(15)
JN 25 x 2	J25568035	PRO 110 MC	(37,0)	(32,0)	(4,6)	(15)
JN 1 ¼ - 12	J13164034	PRO 120/220	1.88	1.63	.25	0.9
JN 33 x 1,5	J28609035	PRO 120/220 M	(47,3)	(41,0)	(6,4)	(27)
JN 36 x 1,5	J23164035	PRO 125/225 M	(47,3)	(41,0)	(6,4)	(27)

Universal Retaining Flange (UF)



Catalog No./ Model	Part Number	Model (Ref)	A in. (mm)	B in. (mm)	C in. (mm)	D in. (mm)	E in. (mm)	F in. (mm)	G in. (mm)	I in. (mm)	J in. (mm)	K in. (mm)
UF 1-12	U19599095	PRO 100/110	1-12 UNF	2.00	.62	.31	.25	1.50	1.50	.19	.45	1.12
UF M25 x 1,5*	U13004143	PRO 110 M	M25 x 1,5	(48)	(16,0)	(8,0)	(6,5)	(35,0)	(35,0)	(4,75)	(10,0)	(25,5)
UF M25 x 2*	U15568143	PRO 110 MC	M25 x 2									

Note: *Please use Enidine jam nuts only.

