



ITT

Koni
Enidine

Xtreme SERIES

SHOCK ABSORBERS METRIC MODELS



HIGHER ENERGY CAPACITY

GREATER RELIABILITY

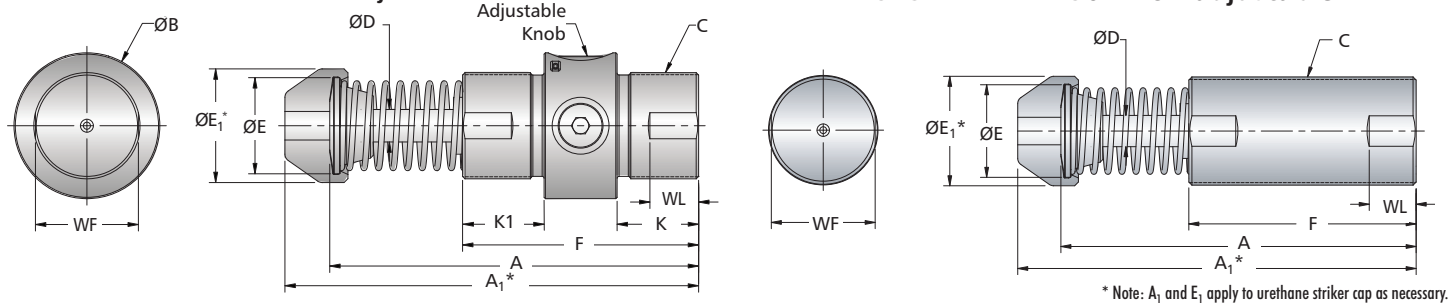
- Robust one-piece cylinder construction with solid back-end delivers unmatched energy performance.
- Versatile low profile configuration of adjustable series also has wrench flats for easy installation.
- Distinctly different front-end bearing assembly promotes remote serviceability when required.
- Integrated positive stop capability provides reliable positioning for all moving loads.
- Innovative combination of long life components offer maximum cycle life for increased productivity.
- Xtreme units have been developed to be fully interchangeable with existing shock absorber products.
- Adjustable and non-adjustable units are available in $\frac{3}{4}$ " (20 mm), $1\text{-}\frac{1}{8}$ " (30 mm) bore sizes and stroke lengths up to 6" (150 mm).
- Xtreme Series shock absorbers are capable of safely and efficiently decelerating loads with energies that exceed all competitive capacities.

Engineered for life

ENIDINE

OEMXT 1.5M - OEMXT 2.0 - Adjustable

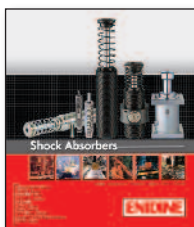
PMXT 1525 - PMXT 2150 - Non-adjustable



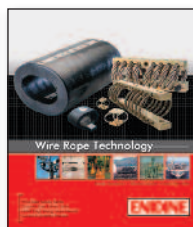
	Catalog No. (Model)	Bore Size (mm)	(S) Stroke (mm)	Optimal Velocity Range (m/sec)	(E_T) Max. Nm/Cycle (Nm)	$(E_T C)$ Max. (Nm/H)	(F_p) Max. Shock Force (N)	Nominal Coil Spring Force		(F_p) Max. Propelling Force (N)	Model Weight (Kg)
								Extended (N)	Compressed (N)		
ADJUSTABLE	OEMXT 1.5M x 1	20,0	25,0	0,3 - 3,5	425	126 000	20 000	48	68	2 890	1,2
	LROEMXT 1.5M x 1	20,0	25,0	0,08 - 1,3	425	126 000	20 000	48	68	6 660	1,2
	OEMXT 1.5M x 2	20,0	50,0	0,3 - 3,5	850	167 000	20 000	29	68	2 890	1,7
	LROEMXT 1.5M x 2	20,0	50,0	0,08 - 1,3	850	167 000	20 000	48	85	6 660	1,7
	OEMXT 1.5M x 3	20,0	75,0	0,3 - 3,5	1300	201 000	20 000	29	85	2 890	2,1
	OEMXT 2.0M x 2	30,0	50,0	0,3 - 3,5	2260	271 000	51 000	80	155	6 660	3,6
	LROEMXT 2.0M x 2	30,0	50,0	0,08 - 1,3	2260	271 000	51 000	80	155	17 760	3,6
	OEMXT 2.0M x 4	30,0	100,0	0,3 - 3,5	4520	362 000	51 000	69	160	6 660	4,9
NON-ADJUSTABLE	OEMXT 2.0M x 6	30,0	150,0	0,3 - 3,5	6780	421 000	51 000	87	284	6 660	6,4
	PMXT 1525 MF	20,0	25,0	*	367	126 000	29 000	48	68	6 700	1,0
	PMXT 1550 MF	20,0	50,0	*	735	167 000	29 000	29	68	6 700	1,1
	PMXT 1575 MF	20,0	75,0	*	1130	201 000	29 000	31	85	6 700	1,3
	PMXT 2050 MF	30,0	50,0	*	1865	271 000	60 500	80	155	17 800	2,7
	PMXT 2100 MF	30,0	100,0	*	3730	362 000	60 500	69	160	17 800	3,3
	PMXT 2150 MF	30,0	150,0	*	5650	421 000	60 500	87	284	17 800	4,2

	Catalog No. (Model)	A	A_1	B	C	D	E	E_1	F	K	K_1	WF	WL
ADJUSTABLE	OEMXT 1.5M x 1	144,0	162,0	58,0	M42 x 1,5	13,0	38,0	44,0	92,0	32,0	32,0	40,5	19,0
	LROEMXT 1.5M x 1	144,0	162,0	58,0	M42 x 1,5	13,0	38,0	44,0	92,0	32,0	32,0	40,5	19,0
	OEMXT 1.5M x 2	195,0	213,0	58,0	M42 x 1,5	13,0	38,0	44,0	118,0	45,0	45,0	40,5	19,0
	LROEMXT 1.5M x 2	195,0	213,0	58,0	M42 x 1,5	13,0	38,0	44,0	118,0	45,0	45,0	40,5	19,0
	OEMXT 1.5M x 3	246,0	264,0	58,0	M42 x 1,5	13,0	38,0	44,0	143,0	57,0	57,0	40,5	19,0
	OEMXT 2.0M x 2	226,0	243,0	77,0	M64 x 2,0	19,0	50,0	57,0	140,0	50,0	50,0	61,5	19,0
	LROEMXT 2.0M x 2	226,0	243,0	77,0	M64 x 2,0	19,0	50,0	57,0	140,0	50,0	50,0	61,5	19,0
	OEMXT 2.0M x 4	328,0	345,0	77,0	M64 x 2,0	19,0	50,0	57,0	191,0	76,0	76,0	61,5	19,0
NON-ADJUSTABLE	OEMXT 2.0M x 6	456,0	473,0	77,0	M64 x 2,0	19,0	60,0	60,0	241,0	76,0	76,0	61,5	19,0
	PMXT 1525 MF	144,0	162,0	*	M45 x 1,5	12,7	38,0	44,5	92,0	*	*	43,5	19,0
	PMXT 1550 MF	195,0	213,0	*	M45 x 1,5	12,7	38,0	44,5	118,0	*	*	43,5	19,0
	PMXT 1575 MF	246,0	264,0	*	M45 x 1,5	12,7	38,0	44,5	143,0	*	*	43,5	19,0
	PMXT 2050 MF	226,0	243,0	*	M64 x 2,0	19,0	50,0	57,0	140,0	*	*	61,5	19,0
	PMXT 2100 MF	328,0	345,0	*	M64 x 2,0	19,0	50,0	57,0	191,0	*	*	61,5	19,0
	PMXT 2150 MF	956,0	473,0	*	M64 x 2,0	19,0	60,0	60,0	241,0	*	*	61,5	19,0

* These versions of shock absorbers have 3 possible damping constants available. Note: Minimum impact velocity for PM models is .1016 m/sec.



Shock Absorbers



Wire Rope Technology



Air Springs

Other Enidine Solutions in Energy Absorption and Vibration Isolation.

Enidine Incorporated
7 Centre Drive
Orchard Park, NY 14127, USA
Tel.: 1 (716) 662-1900
Fax: 1 (716) 662-1909
www.enidine.com • www.itt.com

